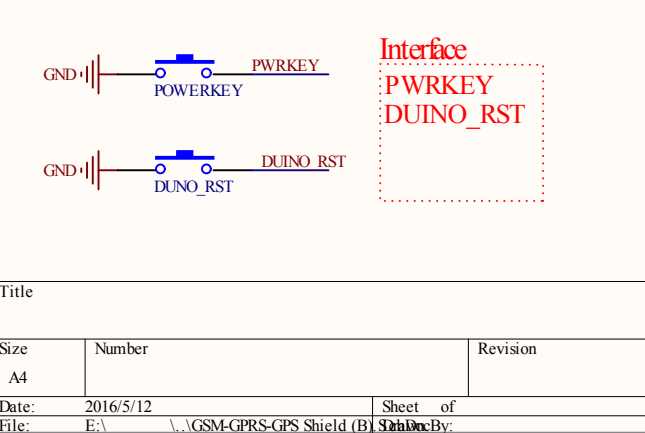
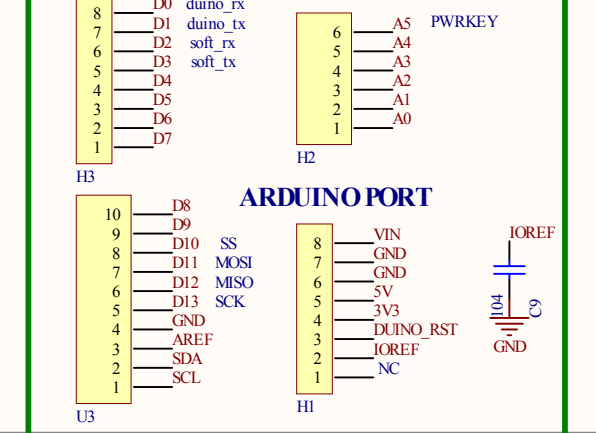
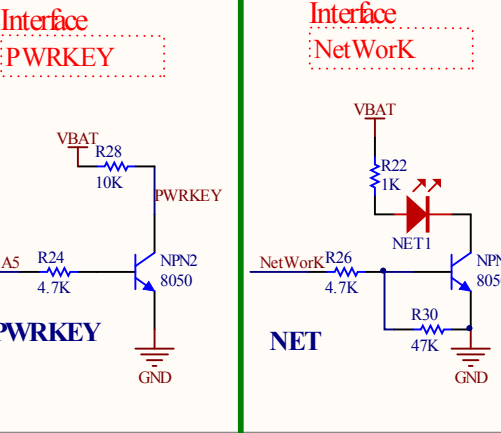
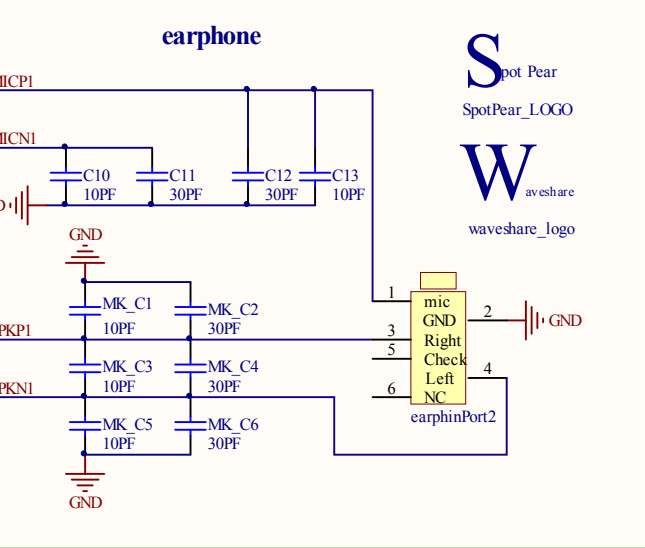
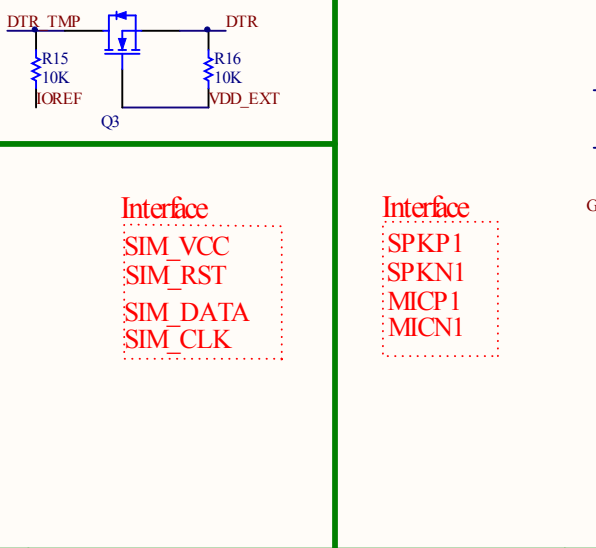
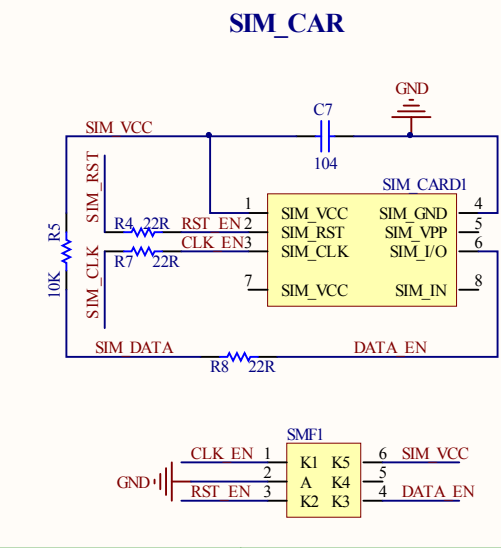
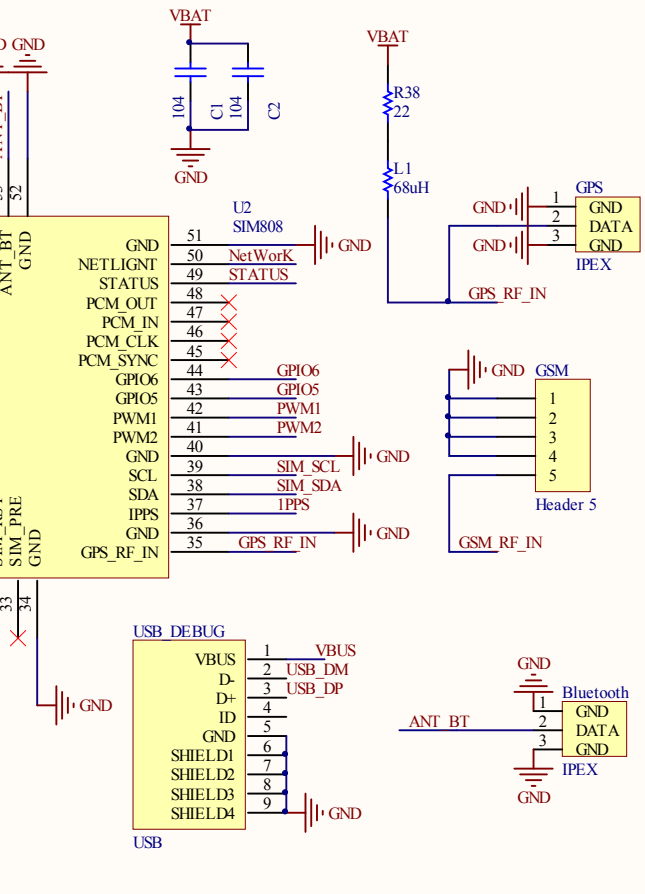
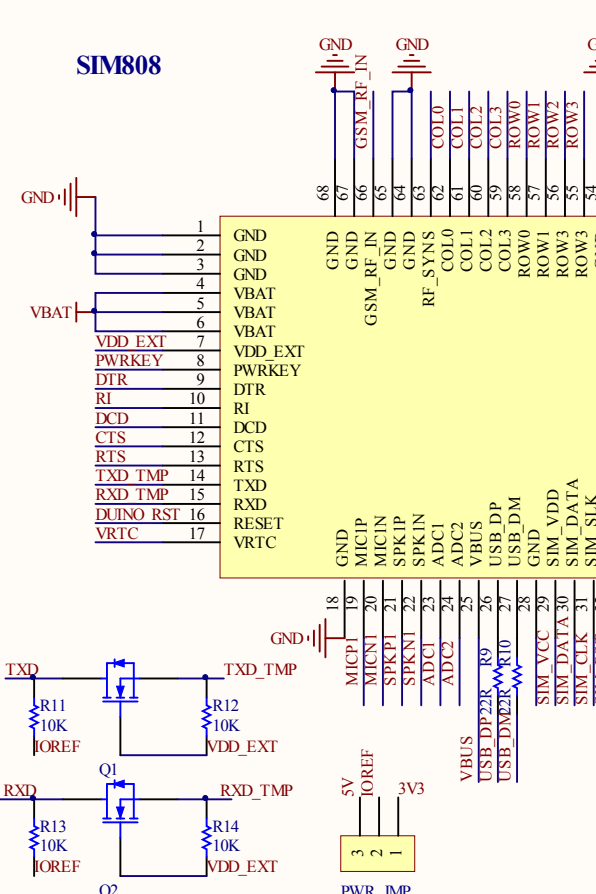
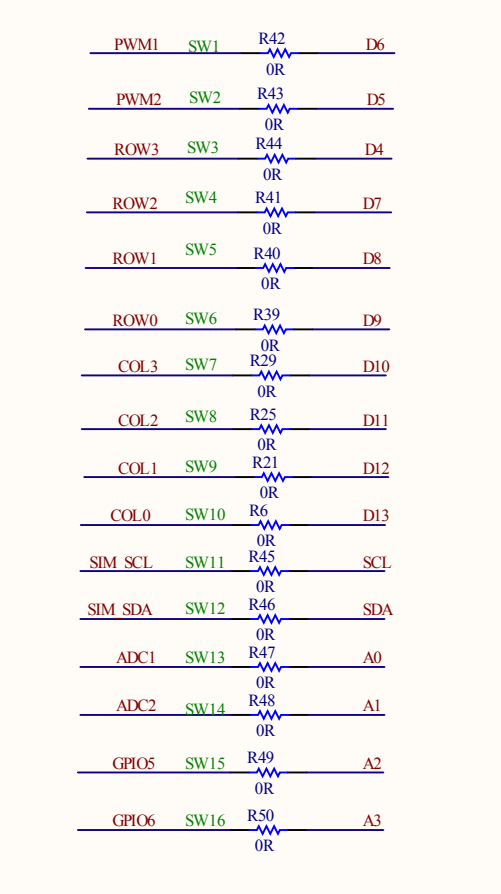
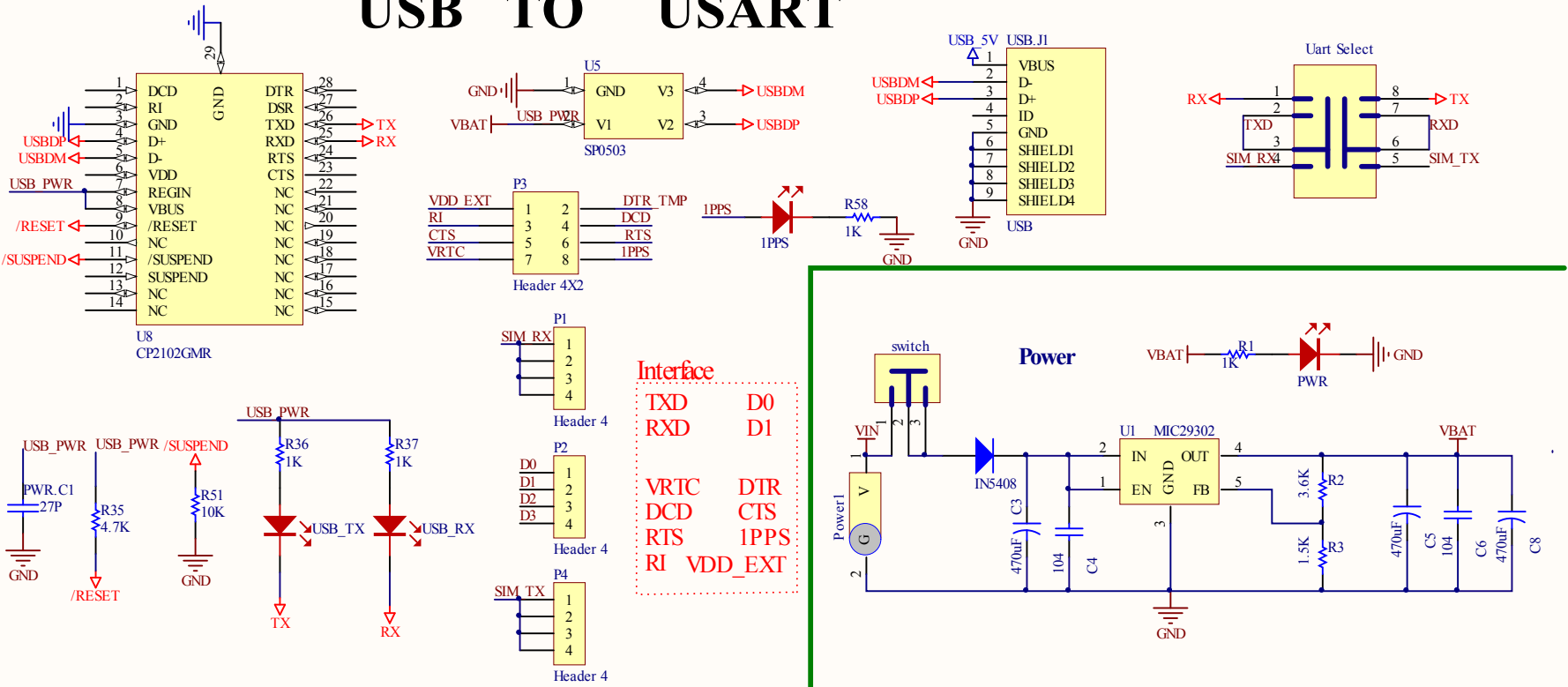


USB TO USART



Title		
Size	Number	Revision
A4		
Date:	2016/5/12	Sheet of
File:	E:\GSM-GPRS-GPS Shield (B) Schematic	By: