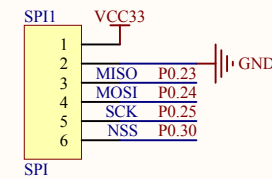
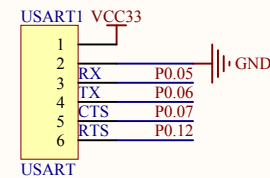
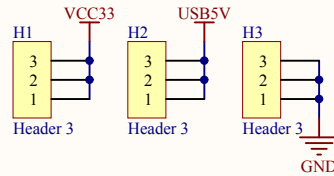
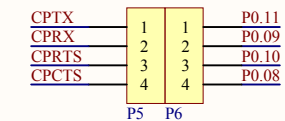
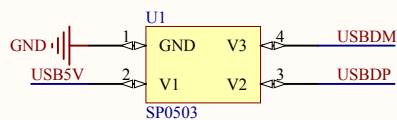
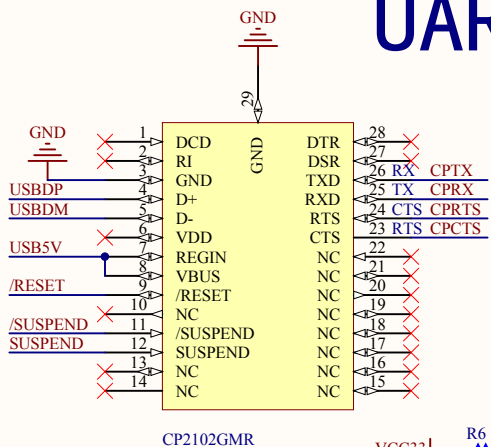


# UART



# POWER

