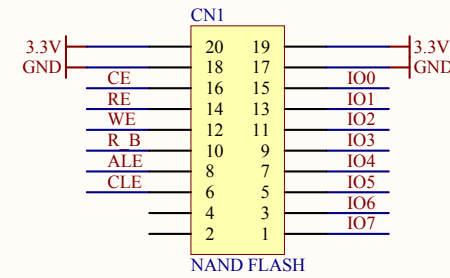
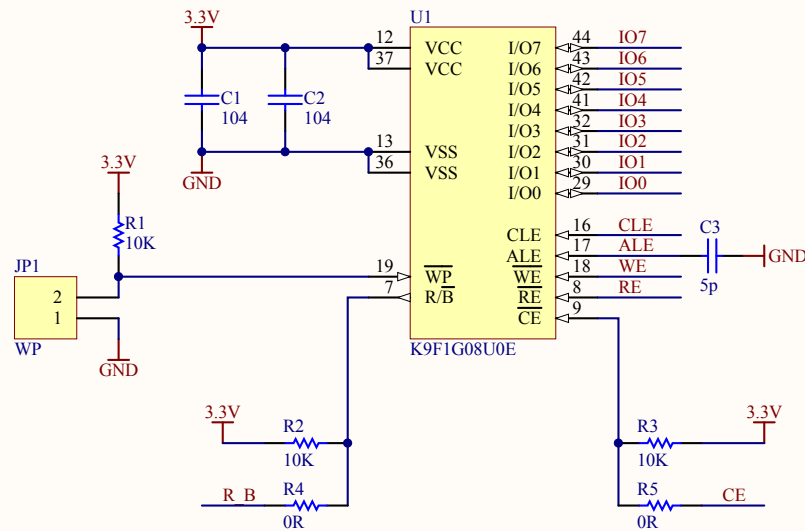


# NAND FLASH



Title		
Size	Number	Revision
A		
Date:	2013/1/4	Sheet of
File:	C:\Users\...\NandFlash Board(A).SchDoc	Drawn By: