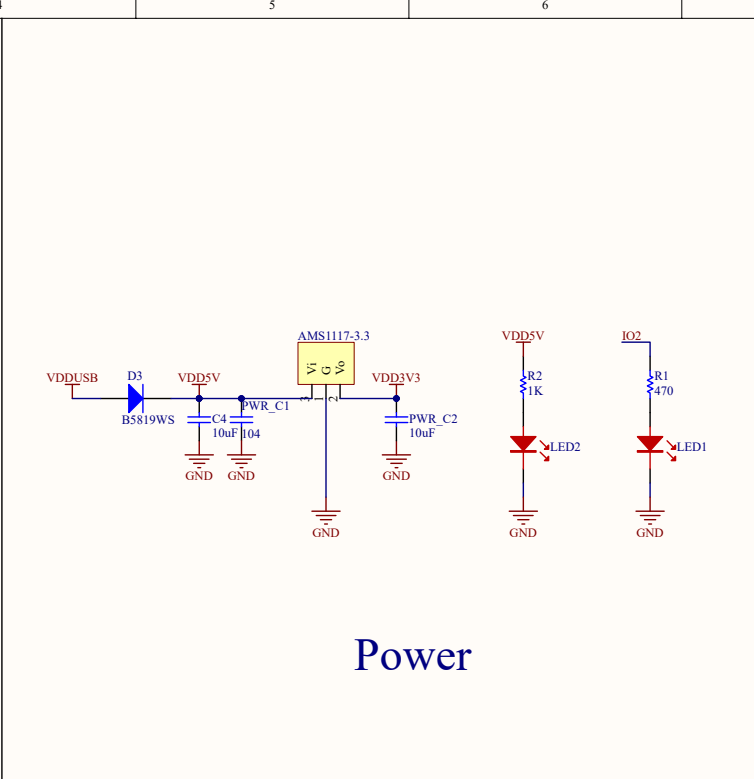
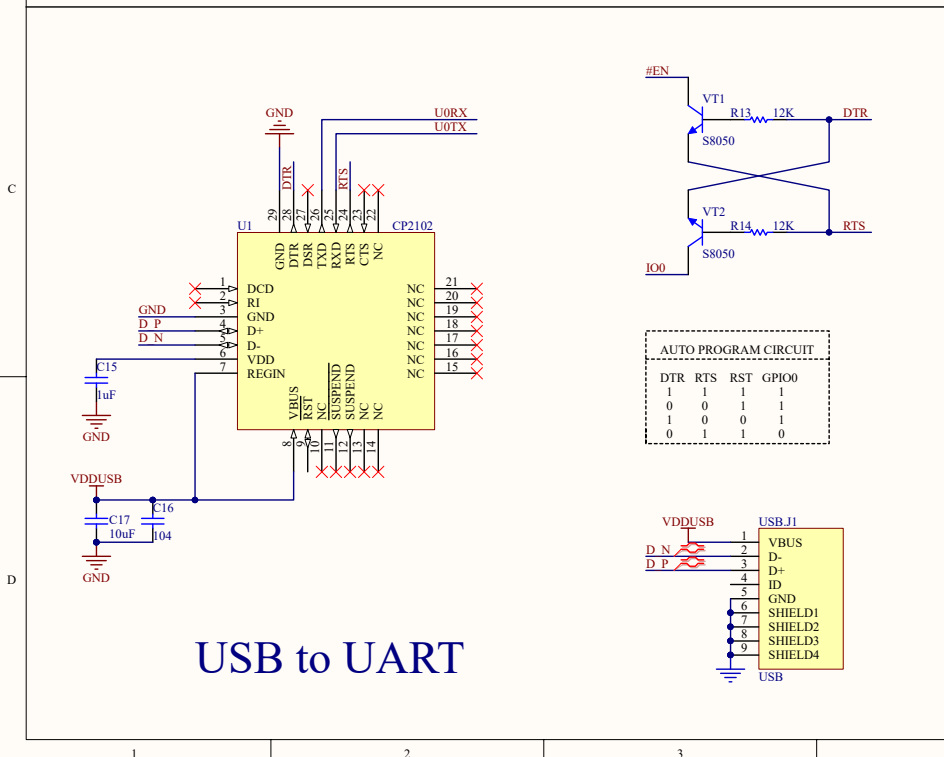


### e-Paper

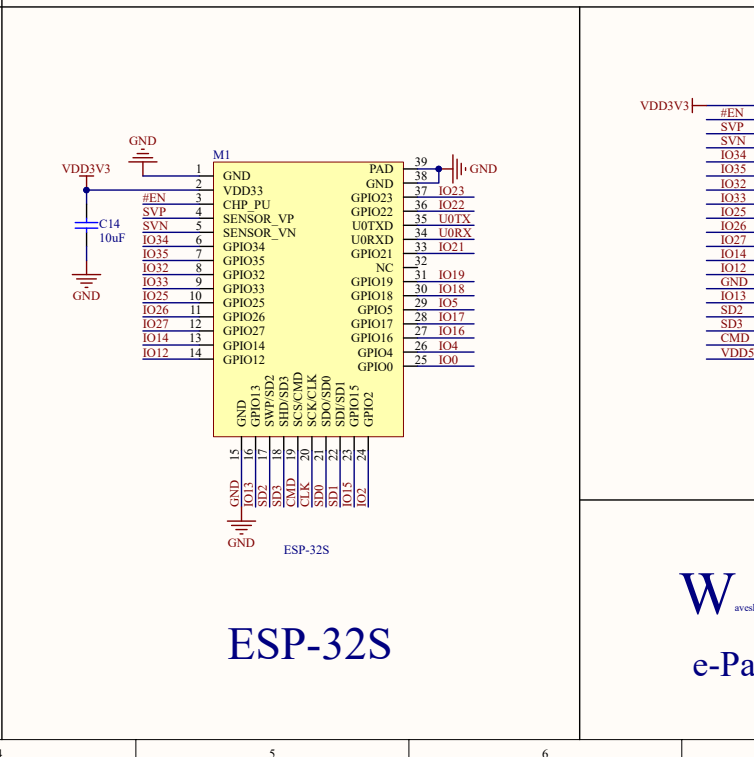


### Power

### Key



### USB to UART



### ESP-32S

### IO Connectors



### e-Paper ESP32 Driver Board

