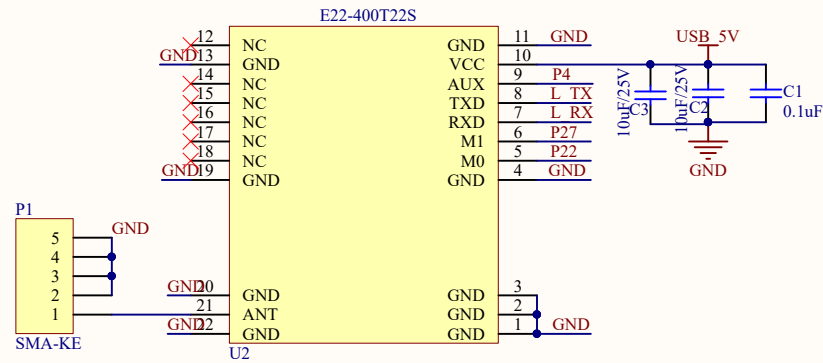
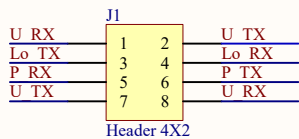


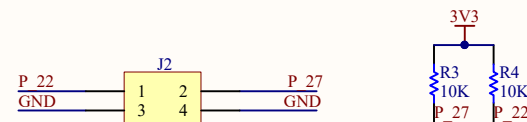
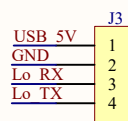
USB to UART



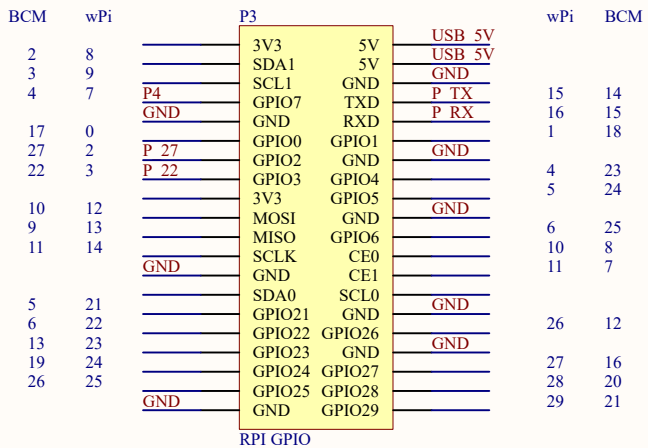
LoRa Module



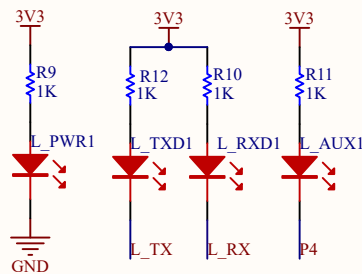
Uart Chose



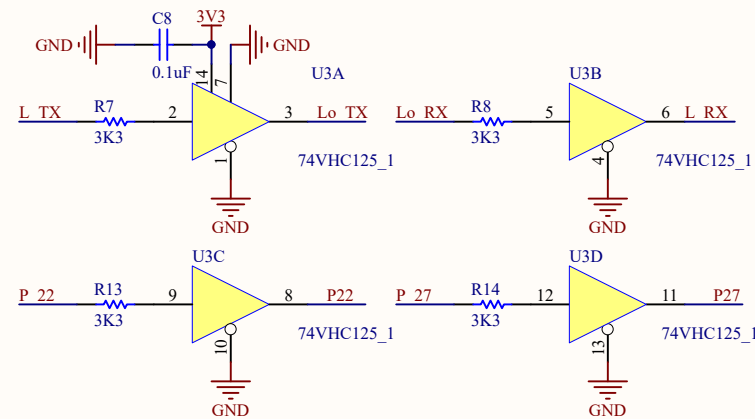
LoRa Mode Selection



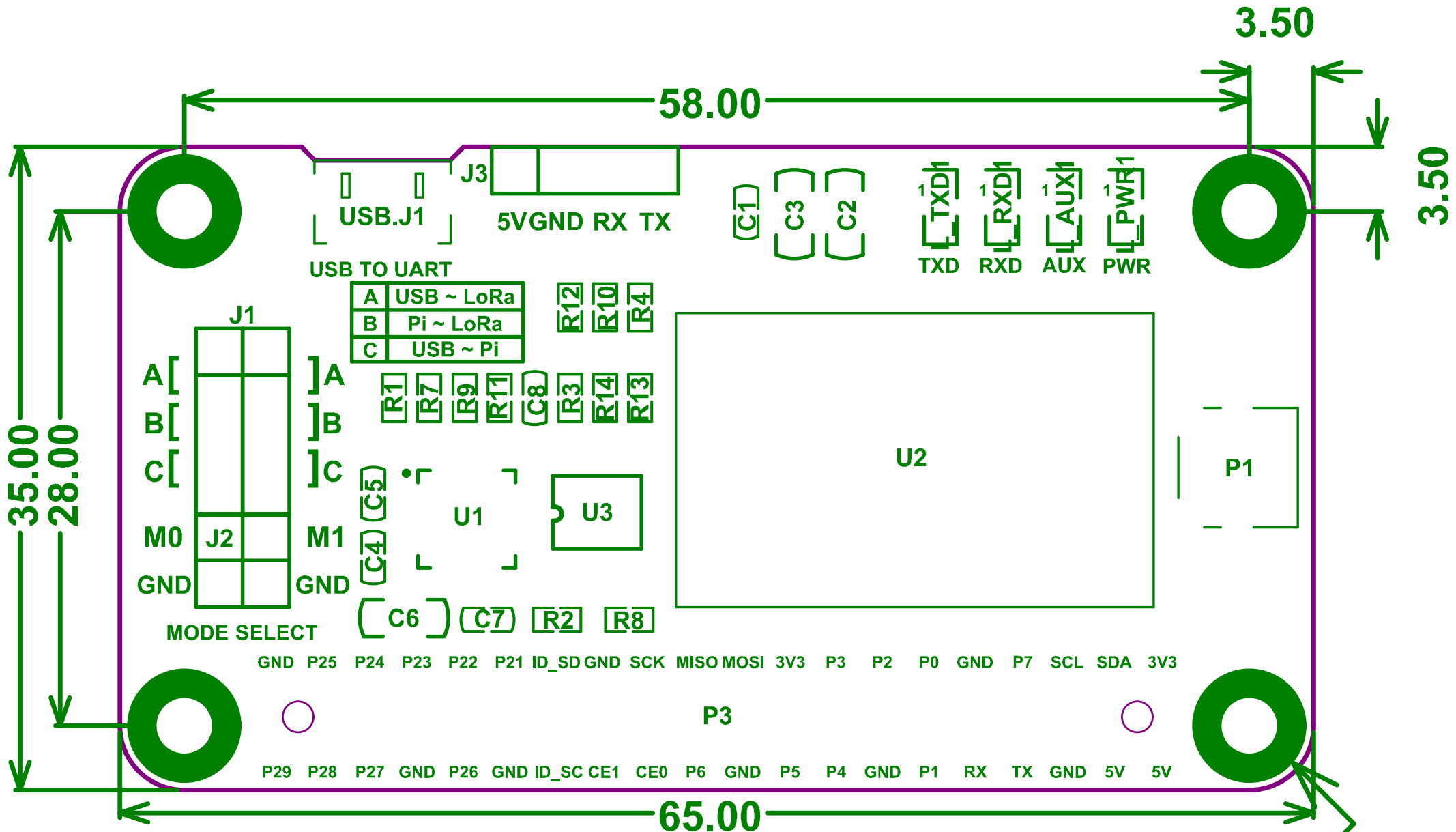
Raspberry Interface



Indicator light



Voltage Level Switch



unit:mm